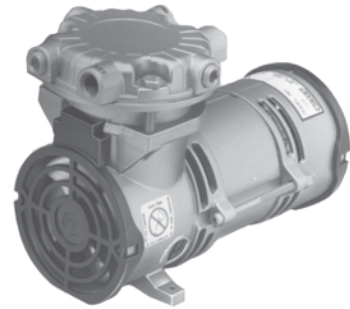


Rocking Piston

Compressors and Vacuum Pumps



The Gast Group Difference

For over 80 years, Gast Manufacturing has been providing innovative air solutions to a broad breadth of customers. With the relatively recent addition of JUN-AIR, we have expanded our capabilities and formed, “The Gast Group.” Together, our diverse engineering background and pneumatic experience allow us to provide both component and system solutions to meet all of your pneumatic needs. And, all backed by our strong commitment to quality and customer support.

Products for Almost Any Application – Worldwide

We offer an extensive and versatile line of air-moving products, including vacuum pumps, compressors, air motors, gearmotors, vacuum generators, and regenerative blowers. We design and build these components for original equipment manufacturers worldwide, but we also develop complete pneumatic solutions to solve tough customer challenges.

To ensure fast, efficient delivery of products, Gast has a vast network of sales representatives/distributors throughout the United States and the world. Plus, we maintain direct sales and service facilities in Europe, Hong Kong, and Shanghai, China.

Unparalleled Design Expertise

Unlike other manufacturers, who might expect you to modify your pneumatic system to fit their available product(s), Gast is committed to finding the right product to meet your specific needs. If we don't have a high-quality, off-the-shelf product to fit your existing application or meet your anticipated needs, we'll propose customized cost-effective design options that will serve your special requirements. We can even develop and produce your complete pneumatic system for you.

Our experienced Research and Development engineers and Product engineers work together to analyze customer needs and use computer-aided design to generate timely solutions for air-handling problems. The design team has one goal: to create problem-solving solutions that capitalize on the latest available technology, meet all application requirements, and benefit from cost-effective production methods. The end result: products and solutions that are the best value in the marketplace for our customers.

A Lasting Commitment to Quality

We invest heavily in both equipment and people to maintain the consistent quality for which our products are known worldwide, and we have done so since day one. As early as 1983, we implemented a total quality process designed to ensure the quality of our products. In keeping with that tradition, Gast has achieved ISO 9001 and 14001 certification, making us a member of the elite group of manufacturing companies in the world to receive that certification. ISO 9001 and 14001 are the most stringent of the three ISO quality standards.

European Community Directives

With extensive sales outside the United States, Gast has pledged to conform to the European Community Directives. These directives contain essential requirements concerning health, safety, environment, and consumer protection for all products targeted for the European Community market. Currently, all Gast products available for sale in the European Community are in compliance with the Machinery, Low Voltage, and Electromagnetic Compatibility Directives.

Pictorial and dimensional data is subject to change without notice. The information presented is based on technical data and test results of nominal units. It is believed to be accurate and is offered as an aid in the selection of Gast products. It is the user's responsibility to determine suitability of the product for intended use and the user assumes all risk and liability whatsoever in connection therewith. Environmental and application conditions may affect advertised life.

Why use a Rocking Piston Product?

Variety

Gast oilless Rocking Piston air compressors and vacuum pumps, available in single, twin, miniature, and tank-mounted styles, are the perfect choice for hundreds of applications. Choose from dual frequency, shaded pole, and permanent split capacitor (psc) electric motors with AC multi-voltage motors to match North American, European, and worldwide power supplies. A complete line of recommended accessories as well as 6, 12, and 24 volt DC models in brush and brushless types are also available.

Performance

The rocking piston combines the best characteristics of piston and diaphragm air compressors into a small unit with exceptional performance. Air flow capabilities from 3.4 LPM to 5.5 CFM (9.35 m³/h), pressure to 175 psi (12.0 bar) and vacuum capabilities up to 29 inHg (31 mbar). Horsepowers range from 1/20 to 1/2 HP (0.04 to 0.37 kW).

Reliable

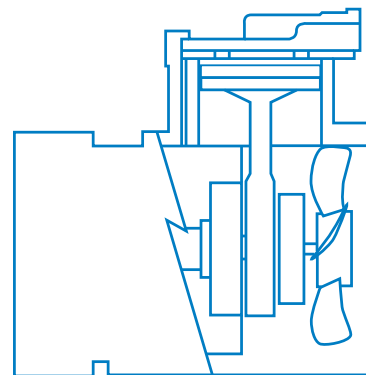
These pumps are made to stand up through years of use. The piston rod and bearing assembly are bonded together, not clamped; they will not slip, loosen, or misalign to cause trouble.

Clean Air

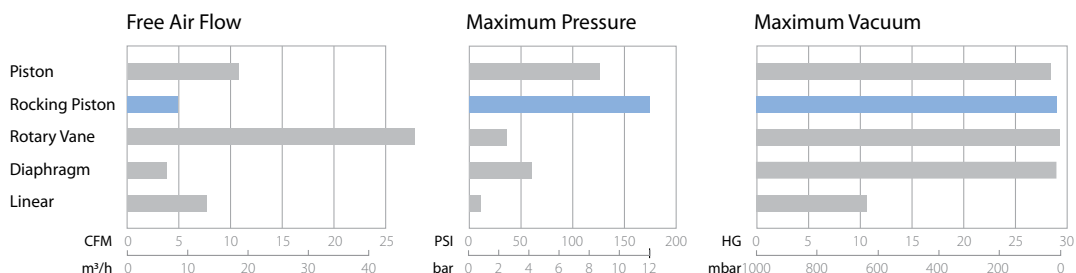
Because Gast ROC-R pumps are oil-free, they are ideal for use in applications in laboratories, hospitals, and the food industry where oil mist contamination is undesirable.

How Does a Rocking Piston Pump Work?

In a reciprocating motion, a flexible cup mounted on top of the connecting rod creates vacuum or pressure as the cup maintains a seal against the cylinder walls in a rocking motion.



Gast Compressors and Vacuum Pumps Performance*



*Shown here are performance ranges of our positive displacement models. Performance shown on inside charts is for continuous operation. Higher performance is possible on an intermittent basis (10 min. on/10 min. off) for some of the models listed. Consult Factory.

Rocking Piston Performance Overview

| MODEL/ SERIES | MOTOR TYPE | POWER RATING | | FREE AIR FLOW | | | | MAXIMUM PRESSURE | | MAXIMUM VACUUM | |
|------------------------------|---------------|--------------|-------------|---------------|-----------|-------------------|-------------|---------------------|------------|-------------------|------|
| | | 60 Hz | | CFM | | m ³ /h | | psi | bar | inHg | mbar |
| | | hp | kW | 50 Hz | 60 Hz | 50 Hz | 60 Hz | | | | |
| 8R (DC) | | — | — | 3.4 LPM | | 3.4 LPM | | 22.5 | 1.55 | 17 | 438 |
| 20R (AC) | | 1/30 | 0.025 | 12 LPM | 14.7 LPM | 12 LPM | 14.7 LPM | 35 | 2.41 | 21 | 302 |
| 30R (DC) | | 1/10 | 0.08 | 0.61 | | 1.04 | | 120 | 8.28 | — | — |
| 34R (DC) | | 1/4 | 0.19 | 0.08 | | 1.36 | | 200 | 13.8 | — | — |
| 55R | PSC | 1/20 | 0.04 | 0.16 | 0.20 | 0.27 | 0.34 | 30 | 2.1 | 24 | 200 |
| 55R (DC) | | 1/10 | 0.07 | 0.25 | | 0.42 | | 30 | 2.1 | 24 | 200 |
| LOA | ShP | 1/16 | 0.05 | — | 0.38 | — | 0.65 | 90 | 6.2 | 25 | 167 |
| LOA | PSC | 1/6 | 0.12 | 0.52 | 0.83 | 0.88 | 1.41 | 100 | 6.9 | 26 | 133 |
| LOA (DC) | | 1/10 | 0.07 | 0.62 | | 1.05 | | 100 | 6.9 | 27 | 99 |
| LAA | | 1/6 | 0.12 | 1.28 | 1.52 | 2.17 | 2.58 | 60 | 4.1 | 29 | 31 |
| SAA (STAGED) | | 1/6 | 0.12 | — | 1.75 | — | 3.00 | — | — | 29.5 | 15 |
| SAA (PARALLEL) | | 1/6 | 0.12 | — | 3.00 | — | 5.10 | — | — | 27 | 99 |
| SAA | | 1/6 | 0.12 | — | 1.95 | — | 3.31 | 30 | 2.1 | — | — |
| ROA | ShP | 1/8 | 0.09 | 1.05 | 1.25 | 1.87 | 2.12 | 100 | 6.9 | 26 | 133 |
| ROA | PSC | 1/4 | 0.19 | 1.50 | 1.60 | 2.55 | 2.72 | 100 | 6.9 | 27 | 99 |
| ROA (DC) | | 1/8 | 0.09 | 1.50 | | 2.55 | | — | — | 26 | 133 |
| RAA | | 1/4 | 0.19 | 2.5 | 2.7 | 4.25 | 4.59 | 100 | 6.9 | 27.5 | 82 |
| 71R (SINGLE CYL) | | 1/3 | 0.25 | 2.4 | 2.0 | 4.08 | 3.40 | 100 | 6.9 | — | — |
| 71R (TWIN CYL) | | 1/3 - 3/4 | 0.25 - 0.56 | 3.25 - 4.5 | 4.0 - 4.5 | 5.52 - 7.65 | 6.80 - 7.65 | 15 - 100 | 1.04 - 7.0 | 28 | 65 |
| 71R (TWIN CYL HIGH PRESSURE) | | 1/3 - 1/2 | 0.25 - 0.37 | 1.7 | 1.9 | 2.89 | 3.23 | 175 | 12.1 | — | — |
| 72R (SINGLE CYL) | | 1/3 | 0.25 | 2.0 - 2.5 | 2.5 | 3.4 - 4.25 | 4.25 | 100 | 7.0 | 28 | 65 |
| 72R (TWIN CYL) | | 1/3 - 3/4 | 0.25 - 0.56 | 2.5 - 5.5 | 2.5 - 5.5 | 4.25 - 9.35 | 4.25 - 9.35 | 25 - 100 | 1.73 - 7.0 | 29 | 31 |
| 74R | | 1/4 | 0.19 | 1.30 | 1.50 | 2.21 | 2.55 | 100 | 7.0 | — | — |
| 75R (SINGLE CYL) | | 1/4 | 0.25 | 1.9 | 1.9 | 3.23 | 3.23 | — | — | 27 | 99 |
| 75R (TWIN CYL) | | 1/3 | 0.25 | 4.5 | 5.1 | 7.65 | 8.67 | 40 | 2.8 | 27 | 99 |
| 81R | | 1/3 | 0.25 | 3.0 | 3.7 | 5.1 | 6.3 | 100 | 7.0 | — | — |
| 82R | | 1/3 | 0.25 | 4.4 | 4.9 | 7.1 | 7.6 | 100 | 7.0 | — | — |
| 82R (BLDC) | | 1/3 | 0.25 | 3.8 | | 6.5 | | 30 | 2.1 | 26 | 133 |
| 85R | | 1/3 | 0.25 | 4.2 | 4.3 | 7.31 | 7.31 | 30 | 2.1 | — | — |

PSC - Permanent Split Capacitor

ShP - Shaded Pole motor

Catalog Performance Specifications

The specifications listed are that of a unit at sea level with an ambient temperature of 70°F (21°C), operating with normal electrical current conditions. The figures stated in this catalog are nominal approximations for models without accessories. Intake filters and exhaust mufflers, and the accumulation of contaminants in them during operation, will decrease the flow of air as well as the achievable pressure.

The units that we list in this catalog are a small portion of what we actually make. Those listed are considered “standard units” and are normally available from stock in small quantities. Variations are produced for many customers and by passing on to us the application specifications we might find an existing unit that fits your requirement. If we don’t and the quantity is sufficient, we will design a “special unit” for the application.

Pictorial and dimensional data is subject to change without notice.

The information presented in this catalog is based on technical data and test results of nominal units. It is believed to be accurate and is offered as an aid in the selection of Gast products. It is the user’s responsibility to determine suitability of the product for intended use and the user assumes all risk and liability whatsoever in connection therewith.

Typical Applications



Medical Applications

- Oxygen concentrators
- Eye surgery equipment
- Ventilation equipment
- Surgical aspiration equipment



Dental Applications

- Dental vacuum ovens
- Dental compressors
- Portable dental equipment



Laboratory Applications

- Lab test equipment
- Body fluid analysis
- Vacuum filtering
- Vacuum centrifuge



Other Applications

- Vacuum food sealer
- Tire inflation equipment
- Automotive suspensions
- Auto detailing equipment
- Refrigerants reclamation
- Dry sprinkler system
- Beverage dispensing
- Cable pressurization
- Vacuum frames
- Core drilling
- Paper counting machines
- Vacuum mixing
- Handicapped accessible doors
- Diving air



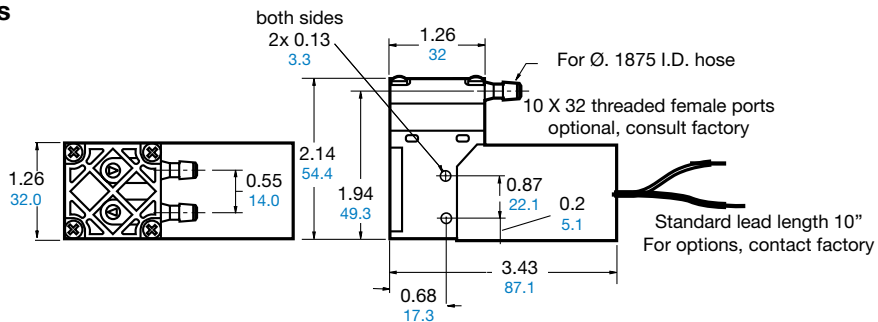


DC Motor

22.5 psi max. pressure
(1.55 bar)
17 inHg max. vacuum
3.4 LPM open flow

Optional cover shown on unit

Product Dimensions (inches, mm)



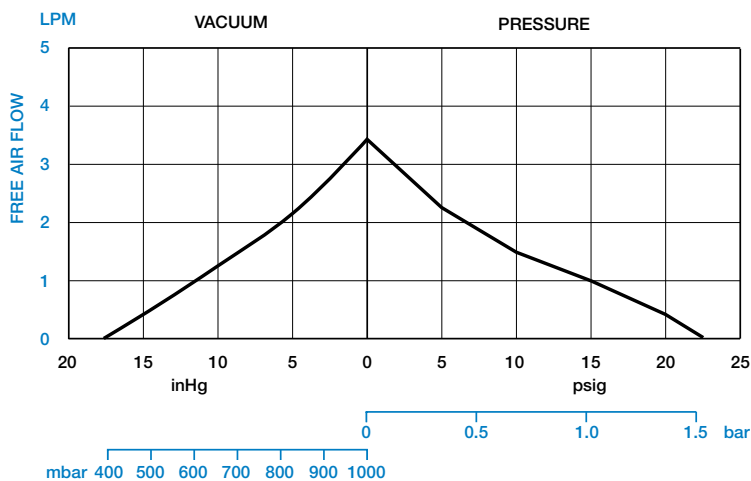
Product Specifications

| Model Number | Motor Type | Amp. Draw | Valve Material | Net Wt. | |
|-----------------|------------|-----------|----------------|---------|------|
| | | | | lb | kg |
| 8R1110-201-1049 | 12V DC | 0.60 | @Neoprene | 0.5 | 0.23 |
| 8R1110-201-1048 | 24V DC | 0.30 | @Neoprene | 0.5 | 0.23 |
| 8R1110-101-1050 | 6V DC | 1.10 | * @EPDM | 0.5 | 0.23 |
| 8R1110-101-1049 | 12V DC | 0.60 | * @EPDM | 0.5 | 0.23 |
| 8R1110-101-1048 | 24V DC | 0.30 | * @EPDM | 0.5 | 0.23 |

- Use as compressor or vacuum pump (same model)
- Maintenance-free ball bearings are sized for long life
- Cup and valve are easily field serviceable, if required
- Alternate stroke options available
- Custom mounting configurations available
- Head mounts in any of four positions
- Heads available with threaded or barbed ports
- Motor equipped with Electromagnetic Interference (EMI) Suppression
- Head assembly of chemical and heat resistant PPS for corrosion resistance
- EPDM (Ethylene Propylene Diene Monomer) valve and Neoprene valves

Product Performance (U.S., Metric)

Note: Performance data taken at nominal voltage



Note: Use #6 @Plastite Thread Forming Screw
@Plastite is a registered trademark of REMINC
(RESEARCH ENGINEERING & MANUFACTURING)

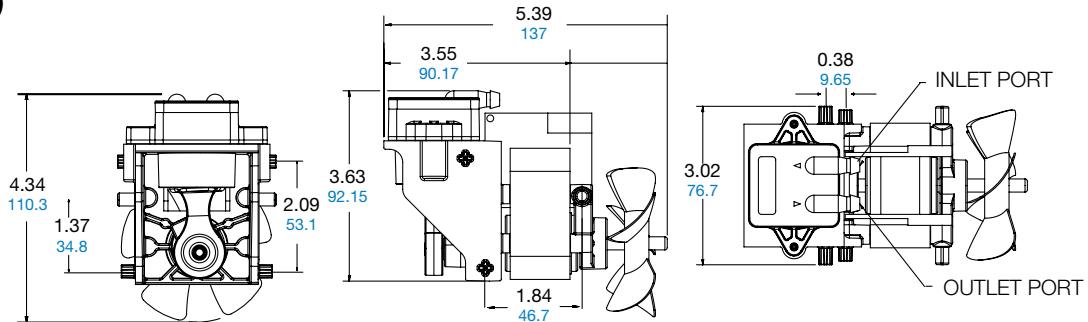


AC Motor

31 psi max. pressure (2.14 bar) 20.5 inHg max. vacuum
14.7 LPM open flow (20r125-101-c400asx, 60 Hz)

*35 psi max. pressure (2.41 bar) *21 inHg max. vacuum
*12.0 LPM open flow (20r126-101-c400csx, 50 Hz)

Product Dimensions (inches, mm)

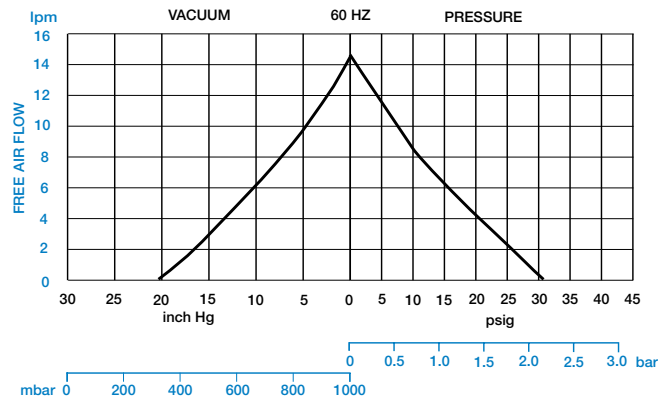
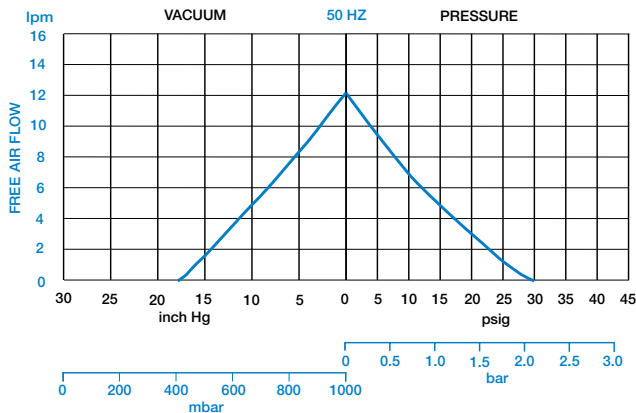


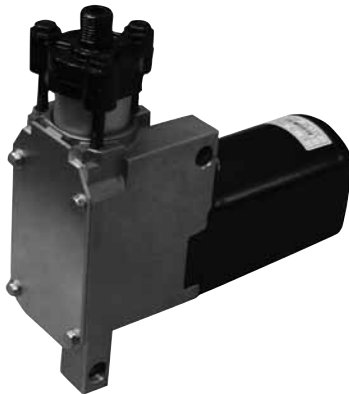
Product Specifications

| Model Number | Motor Type | Amp. Draw | RPM | HP | KW | Net Wt. lb | Net Wt. kg |
|--------------------|------------|-----------|------|------|------|------------|------------|
| 20R125-101-C400ASX | 120-60 AC | 1.5 | 3000 | 1/30 | .025 | 2.40 | 1.09 |
| 20R125-101-C400CSX | 230-50 AC | 0.8 | 2500 | 1/30 | .025 | 2.48 | 1.18 |

- Oilless operation
- Use as compressor or vacuum pump (same model)
- Excellent compressor life with full ball bearing construction
- Single shot thermal and current cutoff protection
- Alternate head mounting position available

Product Performance (U.S., Metric) *Preliminary data - consult factory for further details

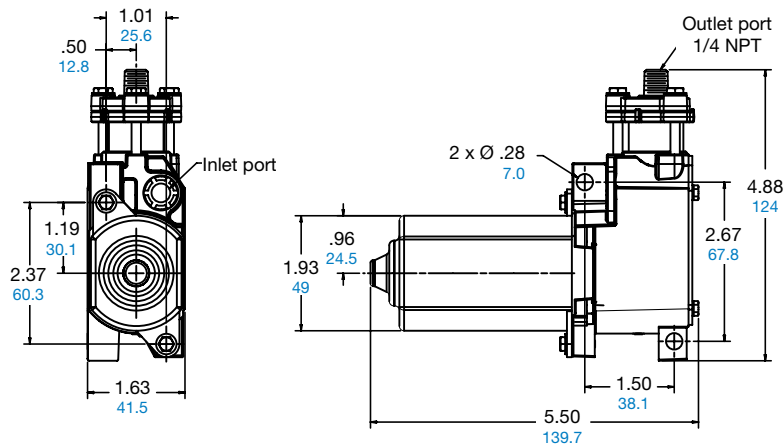




DC Motor

120 psi max. pressure, intermittent
0.61 CFM open flow

Product Dimensions (inches, mm)

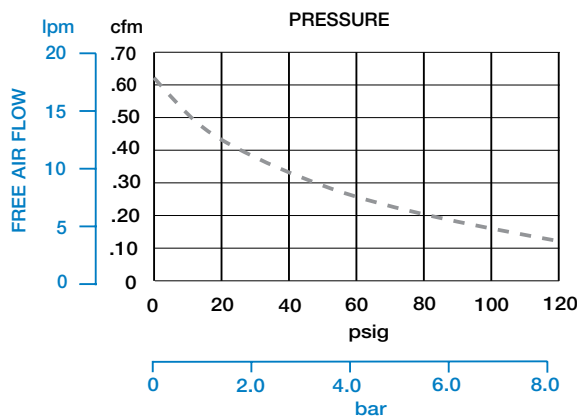


Product Specifications

| Model Number | Motor Type | Amp. Draw | RPM | HP | KW | Net Wt. | |
|------------------|------------|-----------|------|------|------|---------|-----|
| | | | | | | lb | kg |
| 30R157-P101-L200 | 12V DC | 8.0 | 3800 | 1/10 | 0.08 | 1.7 | 0.8 |

- Oilless operation
- 10% duty cycle (1 minute ON, 9 minutes OFF)
- Long-life cup material
- Custom specific mounting configurations available
- Custom exhaust port locations available

Product Performance (U.S., Metric)



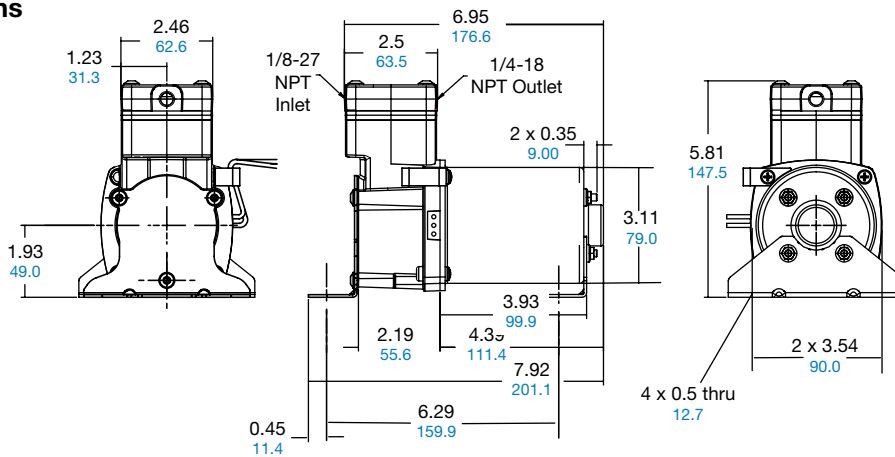
Duty cycle: At 120 psig, pump is rated for 10% duty (1.0 minute on, 9.0 minutes off)



DC Motor

200 psi max. pressure, intermittent
0.8 CFM open flow

Product Dimensions (inches, mm)



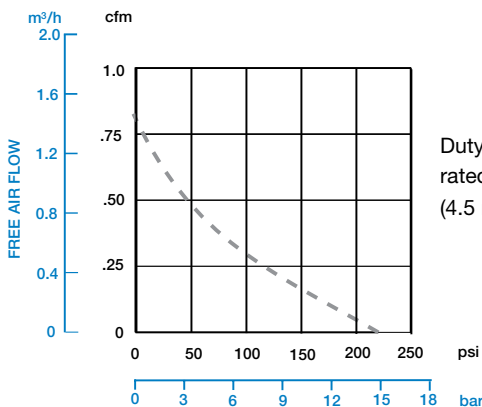
Product Specifications

| Model Number | Motor Type | Amp. Draw | RPM | HP | KW | Net Wt. lb | Net Wt. kg |
|--------------------|------------|-----------|------|-----|-------|------------|------------|
| 34R156-P101-L100X | 12V DC | 13 | 2750 | 1/4 | .0175 | 6.5 | 3.0 |
| *34R156-P160-L100X | 12V DC | 13 | 2750 | 1/4 | .0175 | 7.0 | 3.2 |

*Accessorized unit includes: braided hose with check valve, vibration isolators, and mounting hardware

- Oilless operation
- Motor mounted
- All wetted aluminum parts for corrosion resistance
- IP68 rating available
- Thermal overload protector
- 4-way reversible head
- Optional standard NPT inlet and exhaust port head
- VG2016 sintered bronze inlet silencer
- Robust intermittent duty cycle
- Bulk or individual pack available

Product Performance (U.S., Metric)



Duty cycle: At 150 psig, pump is rated for 30% duty (4.5 minutes on, 10.5 minutes off)



Brushless DC Motor

30 psi max. pressure continuous
(45 psi intermittent)
24 inHg max. vacuum
0.25 CFM open flow (each head)

PSC Motor

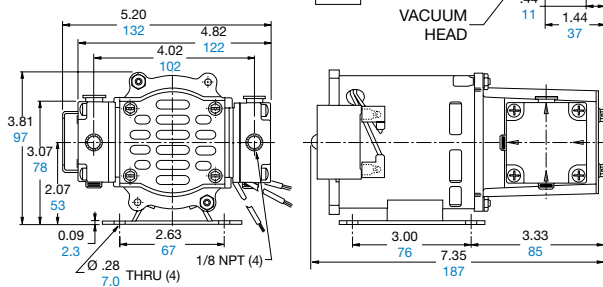
30 psi max. pressure continuous
(45 psi intermittent)
24 inHg max. vacuum
0.20 CFM open flow (each head)

Recommended Accessories

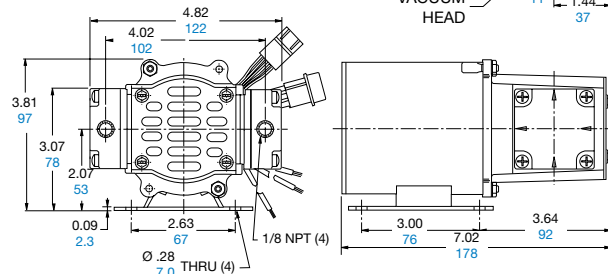
Repair kit part #K531
Vacuum gauge AA640
Vacuum relief valve AA204
Pressure gauge AA644B
Pressure relief valve AA203
Filter/muffler pressure VG2016
Filter/muffler vacuum AA922H

Product Dimensions (inches, mm)

AC MODELS



DC MODELS



Product Specifications

| Model Number | Motor | Motor Type | RPM 60 Hz 50 Hz | HP | KW | Net Wt. lb kg |
|----------------|---------------------------|--------------|--------------------|-------|------|------------------|
| 55R720-101-TKP | 24V | BrushlessDC | 1900* | 10 | 0.07 | 5.0 2.25 |
| 55R720-101-STP | 100-110/100-115V, 50/60-1 | PSC (4 Pole) | 1575 1275 | 0.054 | 0.04 | 5.0 2.25 |

*Speed can be varied by customer supplied electronics

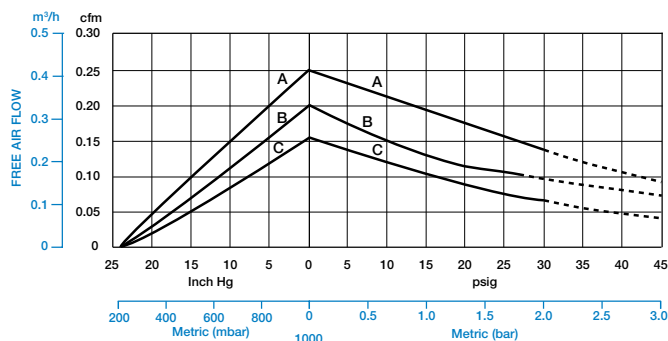
Note: These units can be configured for either staged vacuum or parallel pressure operation.

Staged vacuum units capable of 27.5 inHg maximum vacuum.

Parallel pressure units capable of 20 psi continuous duty (approx. twice the flow shown in graphs)

- Pressure/vacuum simultaneously in a very small package
- Very low noise levels approx. 55 dB(a)
- All wetted aluminum parts treated for corrosion protection from moisture
- Very low power consumption (approx. 75 watts - AC version, 50 watts - DC version)
- Long life/non-service life (up to 12,000 hours depending on application)

Product Performance (U.S., Metric)



A: 24V DC
B: 1575 RPM
C: 1275 RPM

Pressure flow with one head running at max. vac.
Vacuum flow with one head running at 30 psi.

Dashed lines indicate intermittent duty



Shaded Pole Motor

90 psi max. pressure,
25 inHg max. vacuum
0.38 CFM open flow

PSC Motor

100 psi max. pressure
26 inHg max. vacuum
0.83 CFM open flow

DC Motor

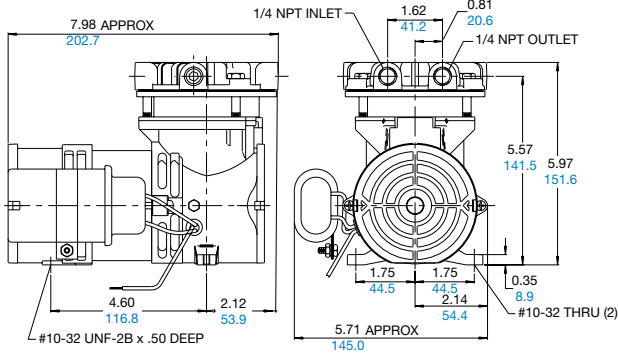
100 psi max. pressure,
27 inHg max. vacuum
0.62 CFM open flow

Recommended Accessories

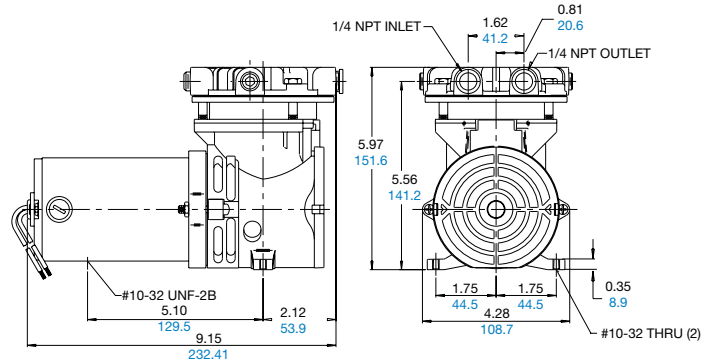
- Muffler/filters AH190
- Pressure gauge AF583
- Vacuum gauge AA640
- Pressure relief valve AF592S
- Vacuum relief valve AA207
- (3) Rubber feet AF584A
- Repair kit K476

Product Dimensions (inches, mm)

AC MODELS (capacitor shipped unattached)



DC MODELS



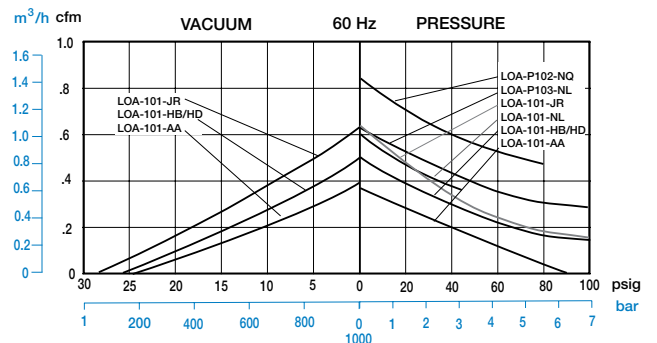
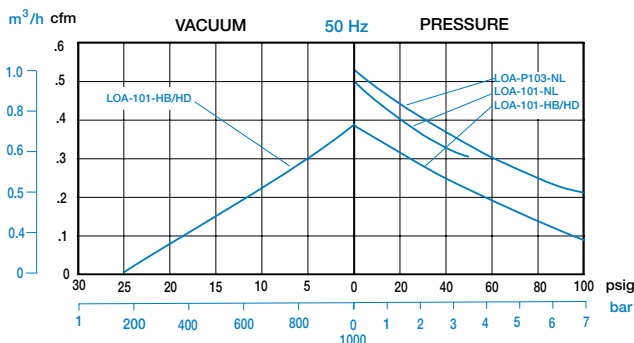
Product Specifications

| Model Number | Motor | Motor Type | RPM | | HP | KW | Net Wt. | |
|--------------|-----------------|-------------|-------|-------|------|------|---------|-----|
| | | | 60 Hz | 50 Hz | | | lb | kg |
| LOA-101-AA | 115-60-1 | Shaded pole | 1575 | | 1/16 | 0.05 | 6.6 | 3.0 |
| LOA-101-HB | 115/110-60/50-1 | PSC | 1575 | | 1/16 | 0.05 | 8.6 | 3.9 |
| LOA-101-HD | 230/220-60/50-1 | PSC | 1575 | 1275 | 1/16 | 0.05 | 8.6 | 3.9 |
| LOA-101-NL | 100-50/60-1 | PSC | 1575 | 1275 | 1/8 | 0.09 | 7.6 | 3.5 |
| LOA-P103-NL | 100-50/60-1 | PSC | 1575 | 1275 | 1/6 | 0.12 | 7.6 | 3.5 |
| LOA-P102-NQ | 115-60-1 | PSC | 1575 | 1275 | 1/6 | 0.12 | 7.6 | 3.9 |
| LOA-101-JR | 11-15V DC | | 2000 | | 1/10 | 0.07 | 6.6 | 3.0 |

- Oilless operation
- Motor mounted
- Rugged construction / low maintenance
- Low noise levels
- Capacitor AG331 (HB, HD motors) AF485A NL motor) AH364 (NQ motor) included

"P" models are pressure only

Product Performance (U.S., Metric)





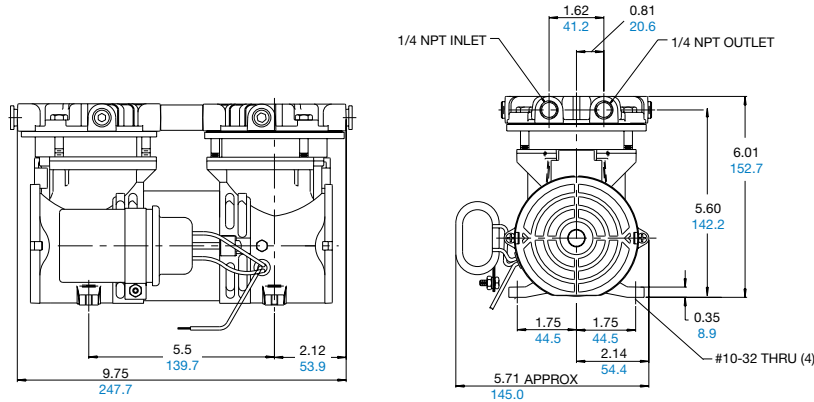
PSC Motor

60 psi max. pressure
29 inHg max. vacuum
1.5 CFM open flow

Recommended Accessories

- Muffler/filters AH190
- Pressure gauge AF583
- Vacuum gauge AA640
- Pressure relief valve AF592S
- Vacuum relief valve AA207A
- (4) Rubber feet AF584A
- Repair kits
 - K773 (LAA-101-NQ, LAA-V103-NQ)
 - K767 (LAA-V104-NQ)

Product Dimensions (inches, mm)



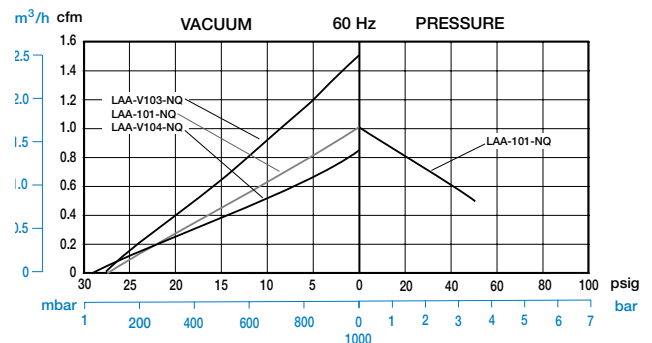
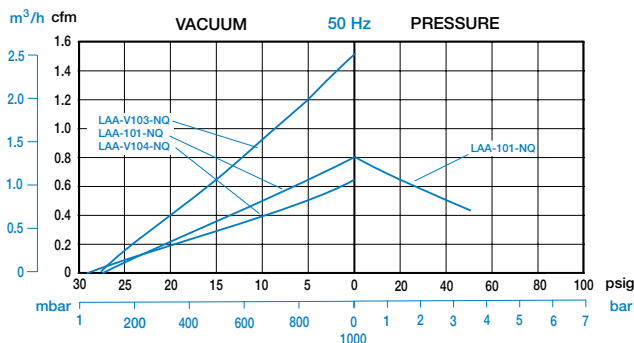
Product Specifications

| Model Number | Motor | Motor Type | Staged/Parallel | RPM | | HP | KW | Net Wt. | |
|--------------|----------------------|------------|-----------------|-------|-------|-----|------|---------|-----|
| | | | | 60 Hz | 50 Hz | | | lb | kg |
| 1LAA-101-NQ | 100-60/50-1;115-60-1 | PSC | Parallel | 1575 | 1275 | 1/6 | 0.12 | 11.3 | 5.1 |
| 1LAA-V103-NQ | 100-60/50-1;115-60-1 | PSC | Parallel | 1575 | 1275 | 1/6 | 0.12 | 11.3 | 5.1 |
| 1LAA-V104-NQ | 100-60/50-1;115-60-1 | PSC | Staged | 1575 | 1275 | 1/6 | 0.12 | 11.3 | 5.1 |

- Oilless operation
- Motor mounted
- Rugged construction / low maintenance
- Low noise levels
- Capacitor AH364 included

"V" models are vacuum only

Product Performance (U.S., Metric)





Standard units ship with grilles covering fans

PSC 4 Pole Motor
30 psi max. pressure,
29.5 inHg max. vacuum
3.0 CFM open flow

Recommended Accessories

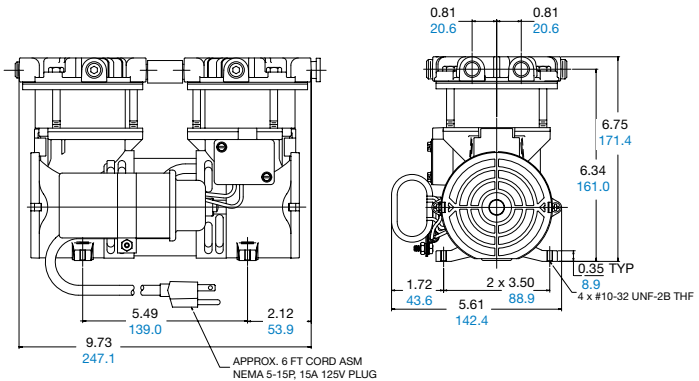
- Mufflers/filters AH190
- Pressure gauge AF583
- Vacuum gauge AA640
- Pressure relief valve AA205
- Vacuum relief valve AA207
- (4) Rubber feet AF584A

Repair kit(s):

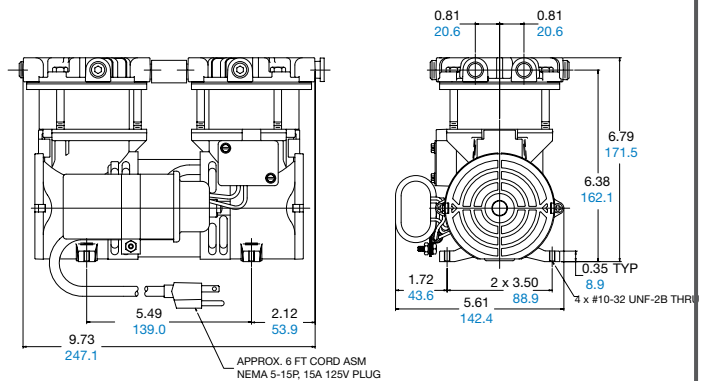
- SAA-P107-NQ, SAA-V108-NQ
- 1 each K756, K757
- SAA-V109-NQ
- 2 each K757

Product Dimensions (inches, mm)

SAA-P107-NQ



SAA-V108-NQ, SAA-V109-NQ



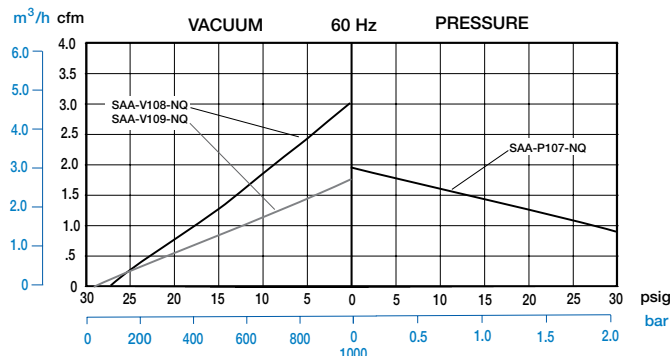
Product Specifications

| Model Number | Motor | Motor Type | Parallel/Staged | RPM 60 Hz | HP | KW | Net Wt. lb | Net Wt. kg |
|--------------|----------|------------|-----------------|-----------|-----|------|------------|------------|
| SAA-P107-NQ | 115-60-1 | PSC | -- | 1575 | 1/6 | 0.12 | 11.1 | 5.0 |
| SAA-V108-NQ | 115-60-1 | PSC | Parallel | 1575 | 1/6 | 0.12 | 11.1 | 5.0 |
| SAA-V109-NQ | 115-60-1 | PSC | Parallel | 1575 | 1/6 | 0.12 | 11.1 | 5.0 |

- Oilless operation
- Motor mounted
- Rugged construction / low maintenance
- Low noise levels

"P" models are pressure only; "V" models are vacuum only

Product Performance (U.S., Metric)





Shaded Pole Motor

100 psi max. pressure
26 inHg max. vacuum
1.6 CFM open flow

PSC 4 Pole Motor

100 psi max. pressure
27 inHg max. vacuum
.78 CFM open flow

DC Motor

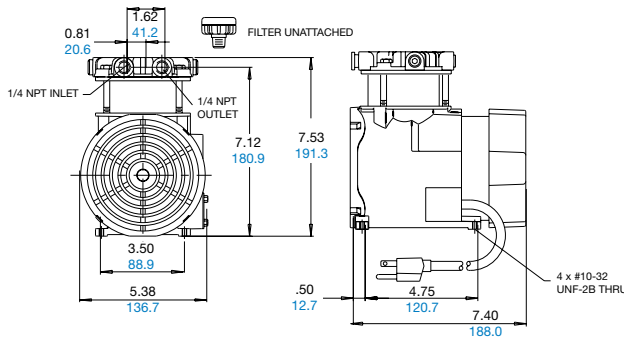
100 psi max. pressure
26 inHg max. vacuum
1.1 CFM open flow

Recommended Accessories

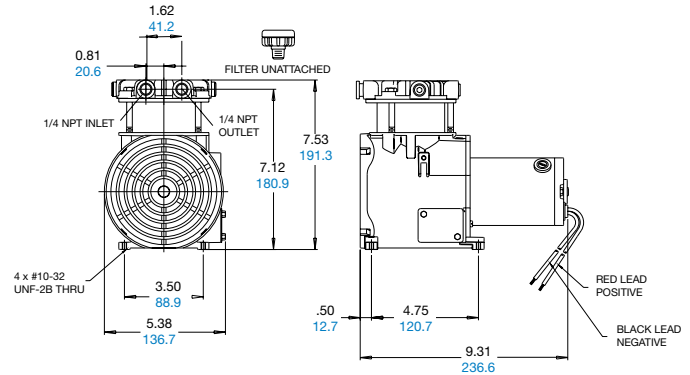
Filter for vacuum only AA617G
Pressure gauge AF583
Vacuum gauge AA640
Pressure relief valve AF592S
Vacuum relief valve AA550C-V
(4) Rubber feet AF584A
Repair kit K757

Product Dimensions (inches, mm)

AC MODELS



DC MODELS



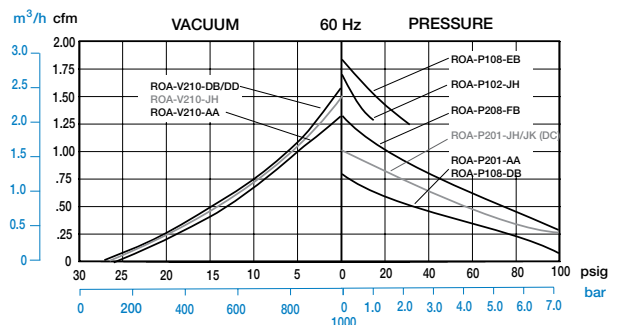
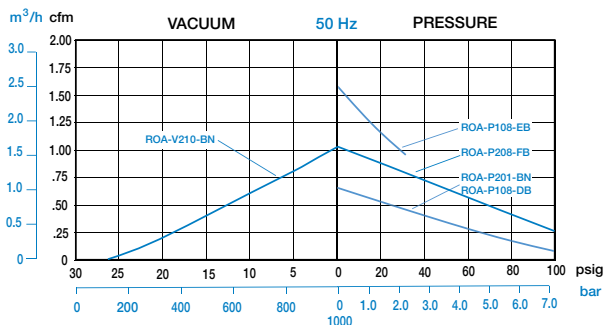
Product Specifications "P" models are pressure only; "V" models are vacuum only

| Model Number | Motor | Motor Type | RPM | | HP | KW | Net Wt. | |
|--------------|-----------------|--------------|-------|-------|-----|------|---------|-----|
| | | | 60 Hz | 50 Hz | | | lb | kg |
| *ROA-P201-AA | 115-60-1 | Shaded pole | 1575 | -- | 1/8 | 0.09 | 12.0 | 5.6 |
| ROA-P201-BN | 220/240-50-1 | Shaded pole | -- | 1275 | 1/8 | 0.09 | 12.0 | 5.6 |
| ROA-P108-DD | 230/220-60/50-1 | PSC | 1575 | 1275 | 1/8 | 0.09 | 15.0 | 6.8 |
| ROA-P108-EB | 115/110-60/50-1 | PSC | 1575 | 1275 | 1/4 | 0.19 | 15.0 | 6.8 |
| ROA-P208-DB | 115/110-60/50-1 | PSC (4 pole) | 1575 | 1275 | 1/8 | 0.09 | 12.3 | 5.6 |
| ROA-P208-FB | 115/110-60/50-1 | PSC (2 pole) | 3000 | 2500 | 1/4 | 0.19 | 12.3 | 5.6 |
| ROA-P209-DB | 115/110-60/50-1 | PSC | 1575 | 1275 | 1/8 | 0.09 | 12.0 | 5.6 |
| ROA-P201-JH | 12V | DC | 2100 | | 1/8 | 0.09 | 10.0 | 4.5 |
| ROA-P201-JK | 24V | DC | 2100 | | 1/8 | 0.09 | 10.0 | 4.5 |
| *ROA-V210-AA | 115-60-1 | Shaded pole | 1575 | -- | 1/8 | 0.09 | 12.3 | 5.6 |
| †ROA-V210-BN | 220/240-50-1 | Shaded pole | -- | 1275 | 1/8 | 0.09 | 12.3 | 5.6 |
| ROA-V210-JH | 12V | DC | 2100 | | 1/8 | 0.09 | 10.0 | 4.5 |

- Oilless operation
- Motor mounted
- Rugged construction / low maintenance
- Low noise levels
- Muffler/filter AH190,
Capacitor AF873A (DB and DD motors)
Capacitor AF485A (FB motor) included

* Includes 10 foot cord, switch, and plug
† Includes 2 meter European color coded cord (no plug)

Product Performance (U.S., Metric)





Shaded Pole Motor

100 psi max. pressure
25 inHg max. vacuum
0.8 CFM open flow (60 Hz)

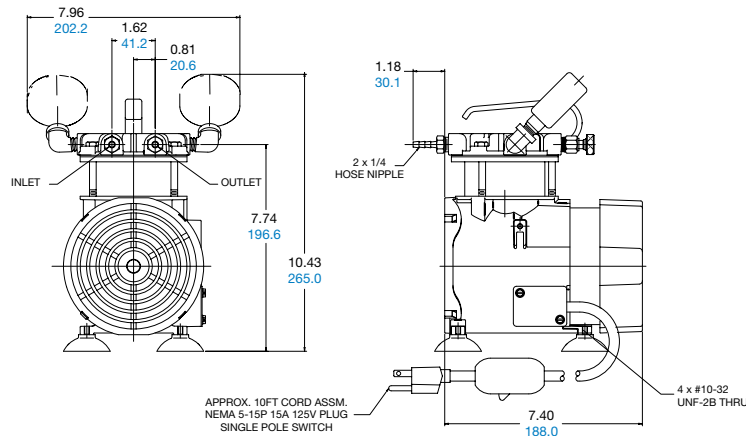
Recommended Accessories

Repair kit K757

Includes

Pressure gauge AF806
Vacuum gauge AE136
Pressure relief valve AF887
Vacuum relief valve AA550C-V
Hose barbs AG613
Carrying handle AP523A
Rubber feet AF584A

Product Dimensions (inches, mm)

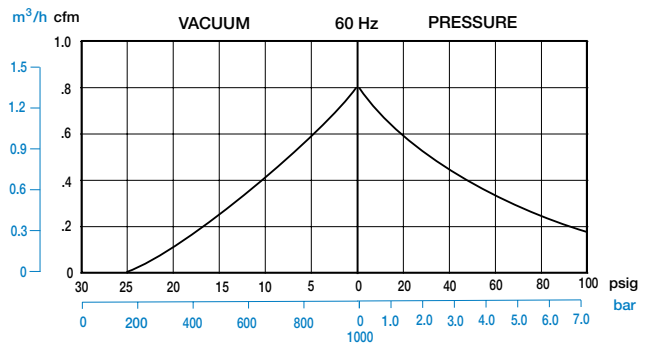
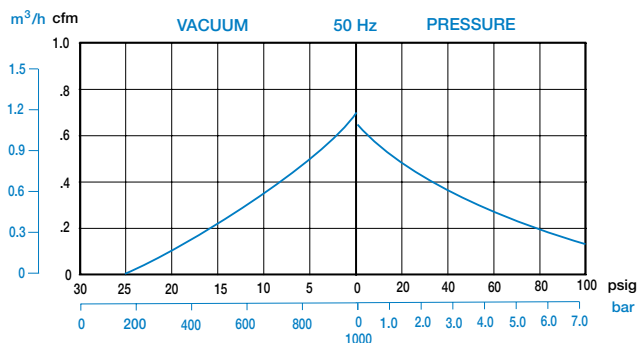


Product Specifications

| Model Number | Motor | Motor Type | RPM | | HP | KW | Net Wt. | |
|--------------|--------------|-------------|-------|-------|-----|------|---------|-----|
| | | | 60 Hz | 50 Hz | | | lb | kg |
| ROA-P104-AA | 115-60-1 | Shaded pole | 1725 | -- | 1/8 | | 20 | 7.0 |
| ROA-P104-BN | 220/240-50-1 | Shaded pole | -- | 1425 | 1/8 | 0.10 | 14 | 6.4 |

- Oilless operation
- Motor mounted
- Rugged construction / low maintenance
- CNL UL listed for use in Canada
- CE conforms to European standards

Product Performance (U.S., Metric)





PSC 4 Pole Motor

100 psi max. pressure
1.55 CFM open flow (60 Hz)
27.5 inHg max. vacuum
2.7 CFM open flow (60 Hz)

PSC 4 Pole Motor Single Stg

29.0 inHg max. vacuum
1.5 CFM open flow (60 Hz)

PSC 2 Pole Motor

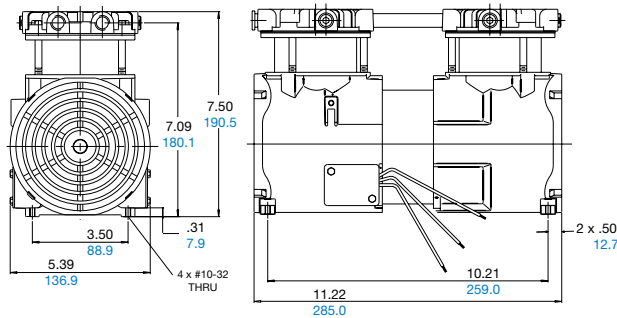
100 psi max. pressure
2.4 CFM open flow (60 Hz)

Recommended Accessories

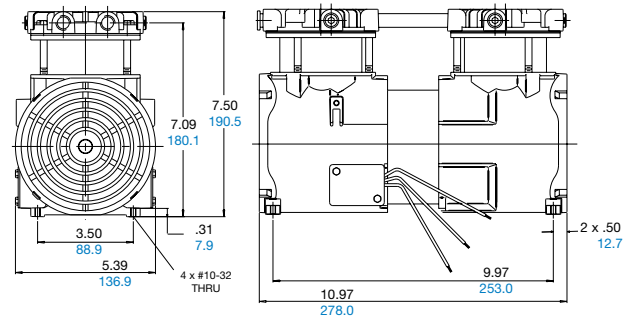
Filter for vacuum only AA617G
Pressure gauge AF583
Vacuum gauge AA640
Pressure relief valve AF592S
Vacuum relief valve AA550C-V
(4) Rubber feet AF584A
(2) Repair kits K757

Product Dimensions (inches, mm)

EB/ED MOTORS



GB/GD MOTORS



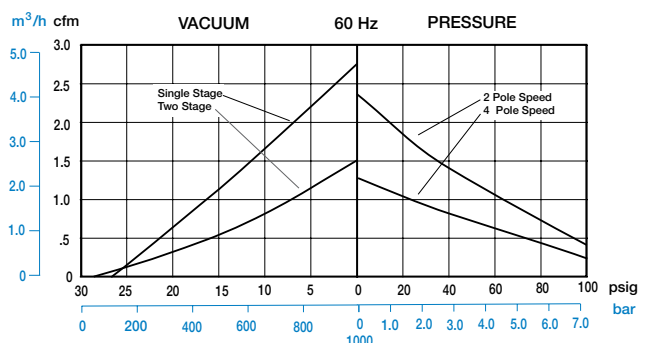
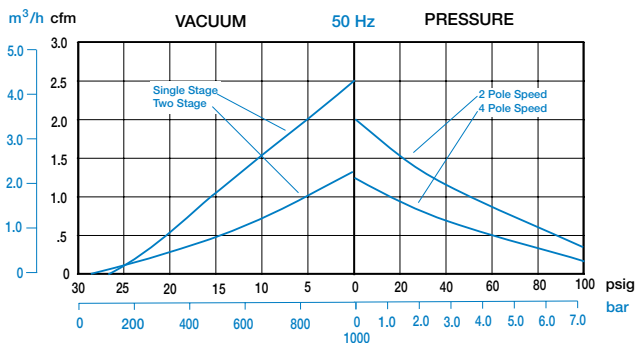
Product Specifications

| Model Number | Motor | Motor Type | Staged/Parallel | RPM | | HP | KW | Net Wt. | |
|--------------|-----------------|--------------|-----------------|-------|-------|-----|------|---------|-----|
| | | | | 60 Hz | 50 Hz | | | lb | kg |
| RAA-P203-EB | 115/110-60/50-1 | PSC (4 pole) | -- | 1575 | 1275 | 1/4 | 0.19 | 19 | 8.6 |
| RAA-P203-ED | 230/220-60/50-1 | PSC (4 pole) | -- | 1575 | 1275 | 1/4 | 0.19 | 19 | 8.6 |
| RAA-P203-GB | 115/110-60/50-1 | PSC (2 pole) | -- | 3000 | 2500 | 1/4 | 0.19 | 19 | 8.6 |
| RAA-P203-GD | 230/220-60/50-1 | PSC (2 pole) | -- | 3000 | 2500 | 1/4 | 0.19 | 19 | 8.6 |
| RAA-V210-EB | 115/110-60/50-1 | PSC (4 pole) | Parallel | 1575 | 1275 | 1/4 | 0.19 | 19 | 8.6 |
| RAA-V211-EB | 115/110-60/50-1 | PSC (4 pole) | Staged | 1575 | 1275 | 1/4 | 0.19 | 19 | 8.6 |
| RAA-V210-ED | 230/220-60/50-1 | PSC (4 pole) | Parallel | 1575 | 1275 | 1/4 | 0.19 | 19 | 8.6 |

- Oilless operation
- Motor mounted
- Rugged construction / low maintenance
- Low noise levels
- Muffler/filter AH190, unattached capacitor AF876 (EB motors) AF873A (EB motors) included

"P" models are pressure only; "V" models are vacuum only

Product Performance (U.S., Metric)





Models 71R142

100 psi max. pressure
2.0 CFM open flow (60 Hz)

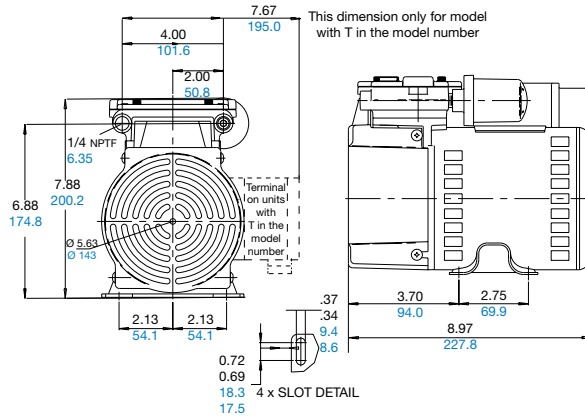
Model 72R142

50 psi max. pressure
2.4 CFM open flow (60 Hz)

Recommended Accessories

In-line filter for vacuum units AA617G
Pressure gauge AF583
Vacuum gauge AA640
Pressure relief valve AF592S
Vacuum relief valve AA550C-V
(4) Rubber feet AB319A
Repair kit: 71R - K704
72R - K705

Product Dimensions (inches, mm)

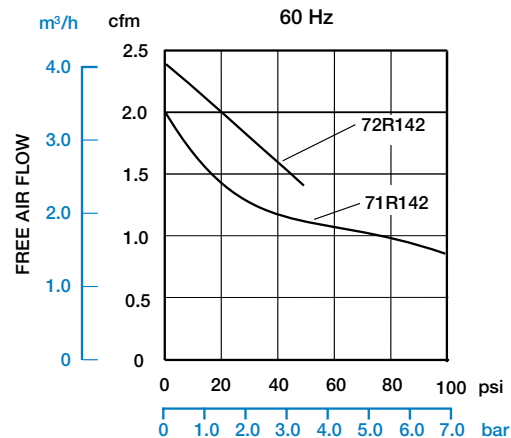
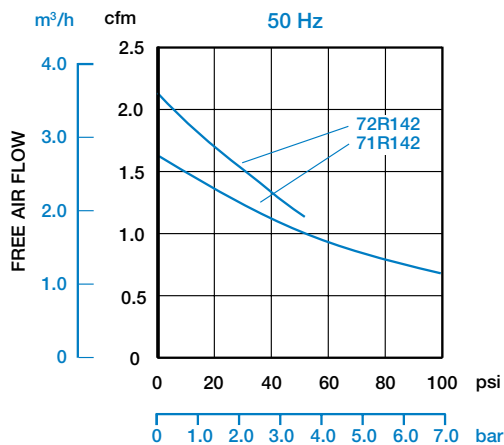


Product Specifications

| Model Number | Motor | Motor Type | RPM | | HP | KW | Net Wt. | |
|--------------------|-----------------|--------------|-------|-------|-----|------|---------|-----|
| | | | 60 Hz | 50 Hz | | | lb | kg |
| 71R142-P001B-D300X | 100/115-60/50-1 | PSC (4 Pole) | 1675 | 1400 | 1/3 | 0.25 | 14 | 6.4 |
| 71R142-P001B-D301X | 200/240-50/60-1 | PSC (4 Pole) | 1675 | 1400 | 1/3 | 0.25 | 14 | 6.4 |
| 72R142-P0018-D300X | 100/115-60/50-1 | PSC (4 Pole) | 1675 | 1400 | 1/3 | 0.25 | 17 | 7.7 |
| 72R142-P0018-D301X | 200/240-50/60-1 | PSC (4 Pole) | 1675 | 1400 | 1/3 | 0.25 | 17 | 7.7 |

- Oilless operation
- All wetted aluminum parts treated for corrosion protection from moisture
- Rugged motor shell construction
- Muffler/filter B300F included

Product Performance (U.S., Metric)





Model 71R545 Staged

175 psi max. pressure
2.0 CFM open flow (60 Hz)

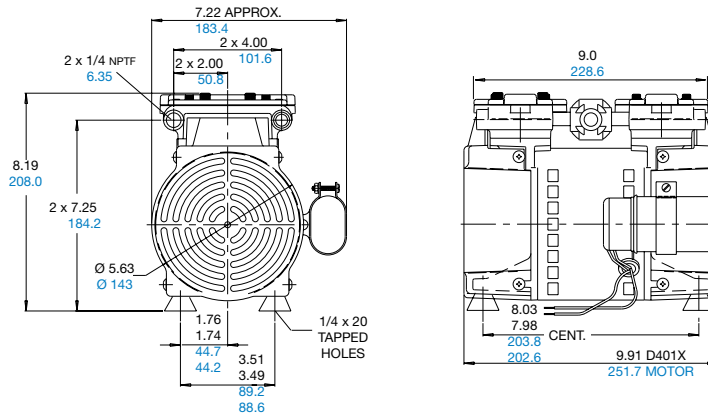
Recommended Accessories

Repair kit K634

Includes

Capacitor AK385
Safety valve AS100J
Interstage filter AT441
(4) Rubber feet AF713A
Filter B300F not pictured,
shipped unattached

Product Dimensions (inches, mm)

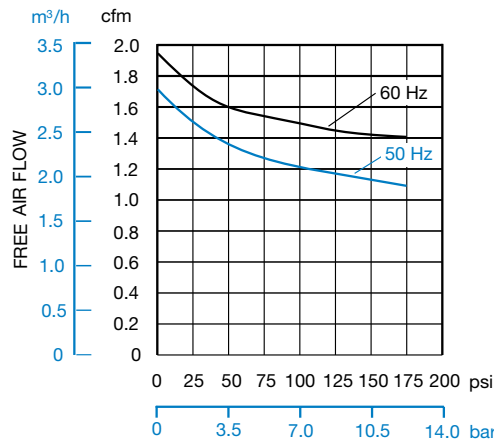


Product Specifications

| Model Number | Motor | Motor Type | RPM | | HP | KW | Net Wt. | |
|---------------------|--------------|--------------|-------|-------|-----|------|---------|------|
| | | | 60 Hz | 50 Hz | | | lb | kg |
| 71R545-P315B-D401X | 100/115-60-1 | PSC (4 Pole) | 1725 | 1425 | 1/2 | 0.37 | 15.6 | 7.09 |
| 71R545-P315B-D302CX | 220/240-50-1 | PSC (4 Pole) | -- | 1425 | 1/3 | 0.25 | 15.6 | 7.09 |

- Oilless operation
- All wetted aluminum parts treated for corrosion protection from moisture
- Rugged motor shell construction
- Muffler/filter B300F included

Product Performance (U.S., Metric)





Model 71R642

100 psi max. pressure
3.5 CFM open flow (60 Hz)

Model 71R645/71R655

100 psi max. pressure
4.35 CFM open flow (60 Hz)

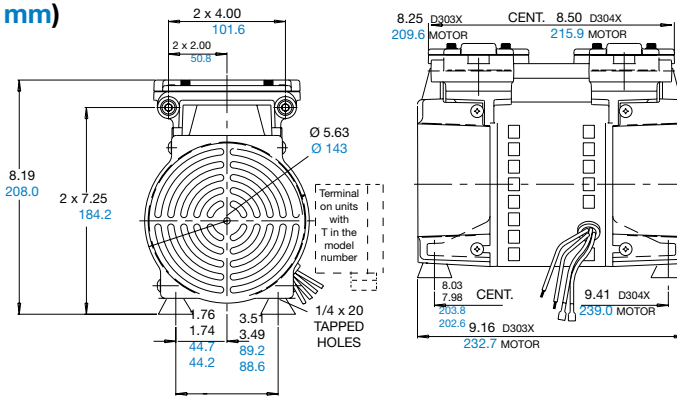
Models 71R645/71R655

100 15 psi max. pressure
5.5 CFM open flow (60 Hz)

Recommended Accessories

Relief valve AA600
Pressure gauge AA644B
Repair kit 71R K557
72R K558

Product Dimensions (inches, mm)



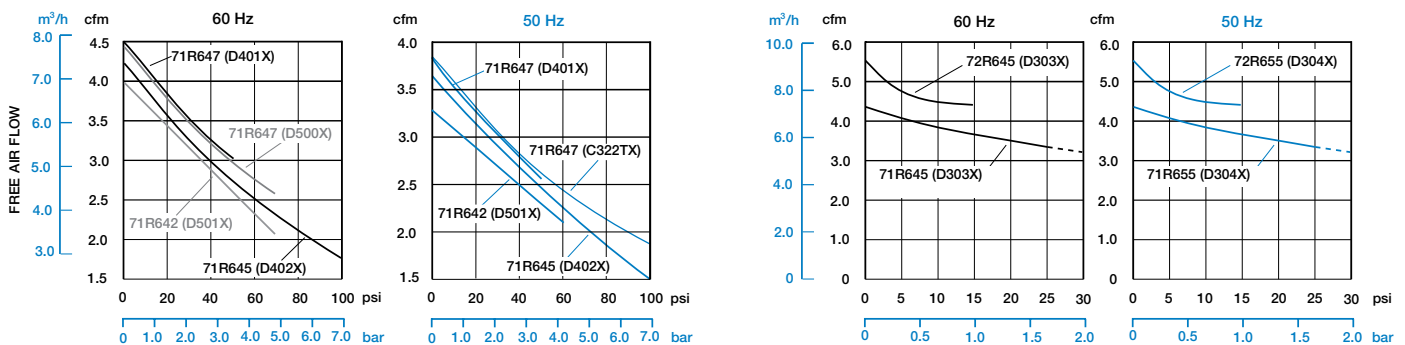
Product Specifications

| Model Number | Motor | Motor Type | RPM | | HP | KW | Net Wt. | |
|---------------------|------------------------------|--------------|------------|------------|-----|------|---------|------|
| | | | 60 Hz | 50 Hz | | | lb | kg |
| 71R645-P112-D303X | 115-60-1 | PSC (4 pole) | 1650 | -- | 1/3 | 0.25 | 15.6 | 7.09 |
| 71R647-P10-C322X | 220/240-50-1 | PSC (4 pole) | -- | 1400 | 1/2 | 0.37 | 23.4 | 10.6 |
| 71R647-P10-C322 | 220/240-50-1 | PSC (4 pole) | -- | 1450 | 1/3 | 0.25 | 19.8 | 9.0 |
| *71R647-P10-C322TX | 220/240-50-1 | PSC (4 pole) | -- | 1450 | 1/3 | 0.25 | 23.4 | 10.6 |
| 71R655-P112-D304X | 220/240-50-1 | PSC (4 pole) | -- | 1425 | 1/3 | 0.25 | 16.0 | 7.27 |
| 72R645-P112-D303X | 115-60-1 | PSC (4 pole) | 1650 | -- | 1/3 | 0.25 | 15.6 | 7.09 |
| 72R655-P112-D304X | 220/240-50-1 | PSC (4 pole) | -- | 1425 | 1/3 | 0.25 | 16.0 | 7.27 |
| 71R647-P112-D401X | 115-60-1 | PSC (4 pole) | 1650 | -- | 1/2 | 0.37 | 15.6 | 7.09 |
| 71R642-P112-D501X | 100/115-60-1 100-50-1 | PSC (4 pole) | 1650 -- | -- 1425 | 3/4 | 0.37 | 15.6 | 7.09 |
| 71R645-P112D-D402CX | 220/230-60-1 220/240-50-1 | PSC (4 pole) | 1650 -- | -- 1425 | 1/2 | 0.37 | 15.6 | 7.09 |
| 71R647-P112U-D500CX | 115-60-1 | PSC (4 pole) | 1650 | -- | 3/4 | 0.56 | 15.6 | 7.09 |

* Unit with terminal box

- Oilless operation
- All wetted aluminum parts treated for corrosion protection from moisture
- Rugged motor shell construction
- Includes
Dry-cell capacitor AT250 (D303X motor),
AT251 (D304X motor)-not pictured, shipped unattached
(4) rubber feet AF713A

Product Performance (U.S., Metric)





Models 71R645/71R655

28 inHg max. vacuum
4.5 CFM open flow (60 Hz)

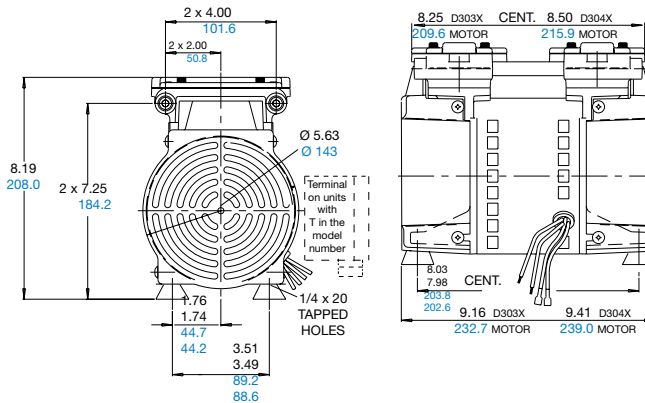
Models 72R547/72R555 Staged

29 inHg max. vacuum
2.6 CFM open flow (60 Hz)

Models 72R645/72R655

28 inHg max. vacuum
5.5 CFM open flow (60 Hz)

Product Dimensions (inches, mm)



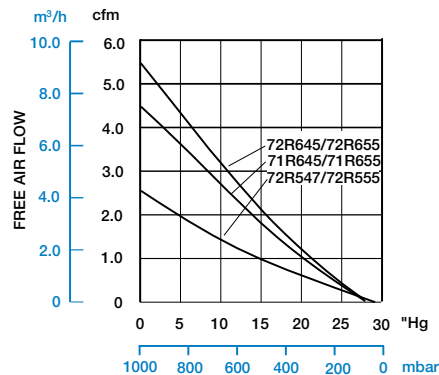
Product Specifications

| Model Number | Motor | Motor Type | Parallel/ Staged | RPM | 60 Hz | 50 Hz | HP | KW | Net Wt. lb | kg |
|--------------------|--------------|--------------|------------------|------|-------|-------|-----|------|------------|------|
| 71R645-V114-D303X | 115-60-1 | PSC (4 pole) | Parallel | 1650 | -- | -- | 1/3 | 0.25 | 15.6 | 7.09 |
| 71R655-V10-C222X | 220/240-50-1 | Shaded Pole | Parallel | -- | 1450 | -- | 1/3 | 0.25 | 16.0 | 7.27 |
| *71R655-V10-C222TX | 220/240-50-1 | Shaded Pole | Parallel | -- | 1450 | -- | 1/3 | 0.25 | 16.0 | 7.27 |
| 71R655-V114-D304X | 220/240-50-1 | PSC (4 pole) | Parallel | -- | 1425 | -- | 1/3 | 0.25 | 16.0 | 7.27 |
| 72R547-V116-D303X | 115-60-1 | PSC (4 pole) | Staged | 1650 | -- | -- | 1/3 | 0.25 | 15.6 | 7.09 |
| 72R555-V10-C222X | 220/240-50-1 | Shaded Pole | Staged | -- | 1450 | -- | 1/3 | 0.25 | 19.8 | 9.0 |
| 72R555-V10-C222TX | 220/240-50-1 | Shaded Pole | Staged | -- | 1450 | -- | 1/3 | 0.25 | 19.8 | 9.0 |
| 72R555-V116B-D204X | 220/240-50-1 | PSC (4 pole) | Staged | -- | 1425 | -- | 1/3 | 0.25 | 16.0 | 7.27 |
| 72R645-V114-D303X | 115-60-1 | PSC (4 pole) | Parallel | 1650 | -- | -- | 1/3 | 0.25 | 15.6 | 7.09 |
| 72R655-V10-C222X | 220/240-50-1 | Shaded Pole | Parallel | -- | 1450 | -- | 1/3 | 0.25 | 21.8 | 9.9 |
| 72R655-V10-C222TX | 220/240-50-1 | Shaded Pole | Parallel | -- | 1450 | -- | 1/3 | 0.25 | 21.8 | 9.9 |
| 72R655-V114-D304X | 220/240-50-1 | PSC (4 pole) | Parallel | -- | 1425 | -- | 1/3 | 0.25 | 16.0 | 7.27 |

* All model numbers with T have a terminal box attached

- Oilless operation
- All wetted aluminum parts treated for corrosion protection from moisture
- Rugged motor shell construction
- Includes
Dry-cell capacitor AT250 (D303X motor),
AT251 (D304X motor)-not pictured,
shipped unattached
(4) rubber feet AF713A

Product Performance (U.S., Metric)





Model 74R130

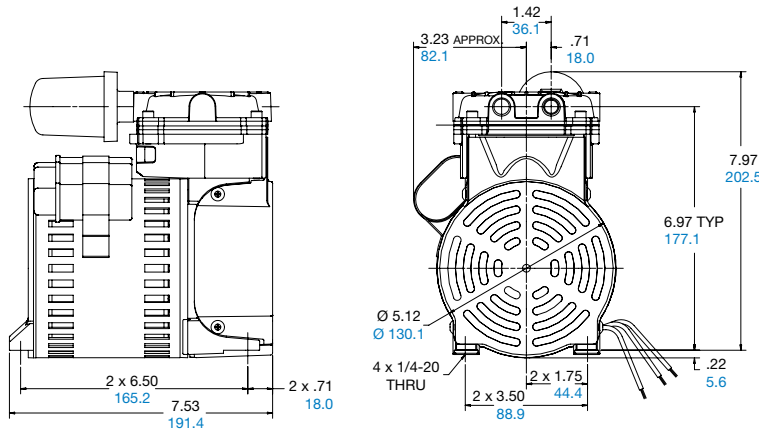
100 psi max. pressure
1.50 CFM open flow (60 Hz)

100 psi max. pressure
1.25 CFM open flow (50 Hz)

Recommended Accessories

Pressure gauge AF583
Pressure relief valve AF592S
(4) Rubber feet AF713A
Repair kit K806

Product Dimensions (inches, mm)



Product Specifications

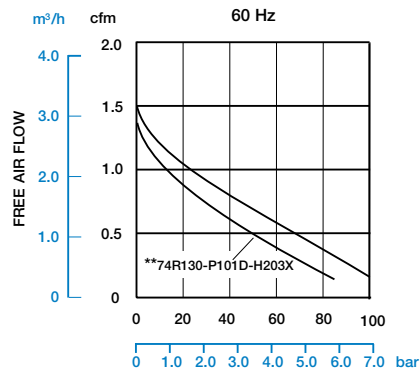
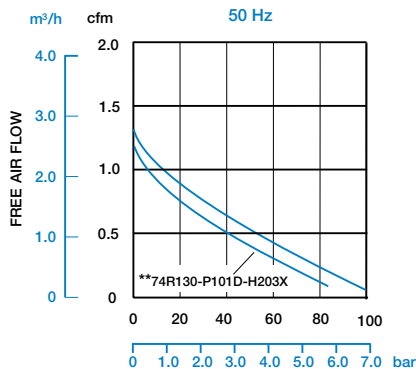
| Model Number | Motor | RPM | | HP | KW | Net Wt. | |
|----------------------|----------------------------|-------|-------|-----|------|---------|-----|
| | | 60 Hz | 50 Hz | | | lb | kg |
| 74R130-P101-H200X | 100-115-60/50-1 | 1625 | 1375 | 1/4 | 0.19 | 14.2 | 6.4 |
| 74R130-P101-H200X | 220-240/230-50/60-1 | 1625 | 1375 | 1/4 | 0.19 | 14.3 | 6.5 |
| 74R130-P101-H203X | 115/230-60-1 :220/240-50-1 | 1625 | 1375 | 1/4 | 0.19 | 14.3 | 6.5 |
| **74R130-P101D-H203X | 115/230-60-1 :220/240-50-1 | 1625 | 1375 | 1/4 | 0.19 | 14.3 | 6.5 |
| *74R130-P114-H200X | 100-115-60/50-1 | 1625 | 1375 | 1/4 | 0.19 | 14.2 | 6.4 |
| *74R130-P114-H201X | 220-240/230-50/60-1 | 1625 | 1375 | 1/4 | 0.19 | 14.3 | 6.5 |

* Has M5 foot mount

** Biased valve

- Oilless operation
- All wetted aluminum parts treated for corrosion protection from moisture
- Rugged motor shell construction
- Filter B300A included
- H200 and H201 motors have 3 pigtail wire arrangement
- H203 has 6 pigtail wire arrangement

Product Performance (U.S., Metric)





MODEL 75R647

20 psi max. pressure,
27 inHg max. vacuum
5.1 CFM open flow (60 Hz)

MODEL 75R645

30 psi max. pressure
4.9 CFM open flow (60 Hz)

MODEL 75R640

40 psi max. pressure,
4.45 CFM open flow (60 Hz)

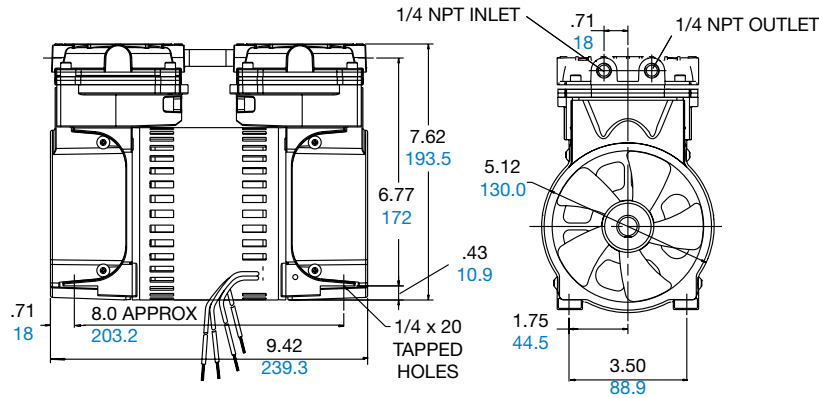
MODEL 75R635

30 psi max. pressure
4.05 CFM open flow (60 Hz)

Recommended Accessories

- Pressure gauge AA644B
- Vacuum gauge AA640
- Pressure relief valve AF592S
- Vacuum relief valve AA204
- (4) Rubber feet AF713A
- Repair kit K797

Product Dimensions (inches, mm)



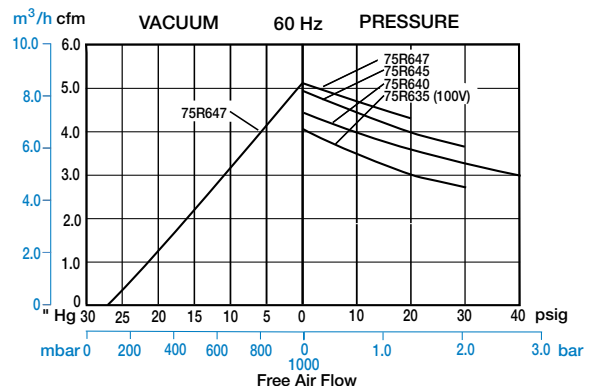
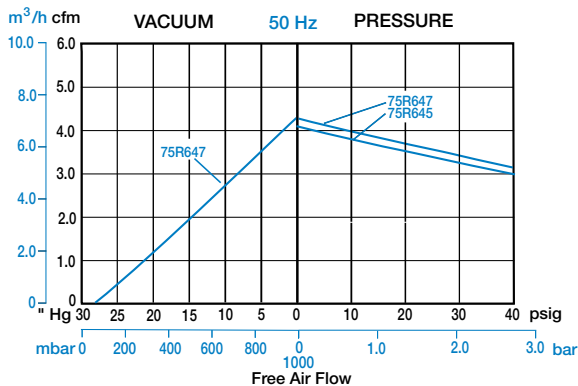
Product Specifications

| Model Number | Motor | Motor Type | RPM | | HP | KW | Net Wt. | | Capacitor |
|---------------------|---------------------|------------|-------|-------|-----|------|---------|-----|-----------|
| | | | 60 Hz | 50 Hz | | | lb | kg | |
| 75R635-P101-H301X | 100-115-60/50-1 | PSC | 1625 | 1375 | 1/3 | 0.25 | 17.1 | 7.8 | AT546A |
| 75R640-P101-H301X | 115-60-1 | PSC | 1625 | -- | 1/3 | 0.25 | 17.1 | 7.8 | AT546A |
| 75R645-P101-H301X | 115-60-1 | PSC | 1625 | -- | 1/3 | 0.25 | 17.1 | 7.8 | AT367 |
| 75R647-P101-H301X | 115-60-1 | PSC | 1625 | -- | 1/3 | 0.25 | 17.5 | 7.9 | AT251 |
| *75R647-V101-H301X | 115-60-1 | PSC | 1625 | -- | 1/3 | 0.25 | 17.5 | 7.9 | AT251 |
| 75R645-P101-H302CX | 220-240/230-50/60-1 | PSC | 1625 | 1375 | 1/3 | 0.25 | 17.6 | 8.0 | AT250 |
| 75R647-P101-H302CX | 220-240/230-50/60-1 | PSC | 1625 | 1375 | 1/3 | 0.25 | 18.0 | 8.2 | AT251 |
| 75R647-P101A-H311CX | 115-60-1 | PSC | 1625 | -- | 1/3 | 0.25 | 18.0 | 8.2 | AT251 |

- Oilless operation
- All wetted aluminum parts treated for corrosion protection from moisture
- Rugged motor shell construction
- Filter/muffler included

* Vacuum only model

Product Performance (U.S., Metric)



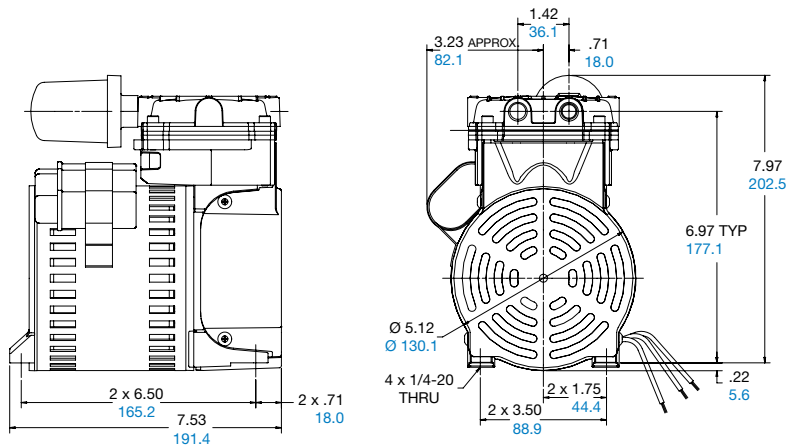


Model 75R135
27 inHg max. vacuum
1.9 CFM open flow (60 Hz)

Recommended Accessories

Vacuum gauge AA640
Vacuum relief valve AA204
(4) Rubber feet AF713A
Repair kit K806

Product Dimensions (inches, mm)

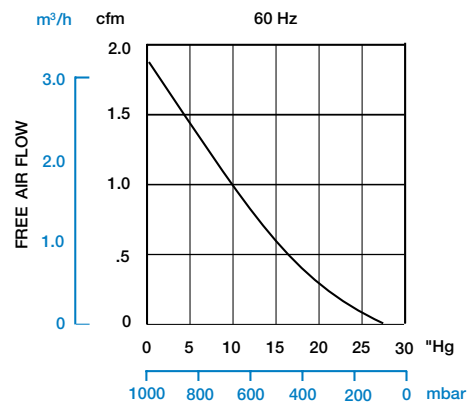
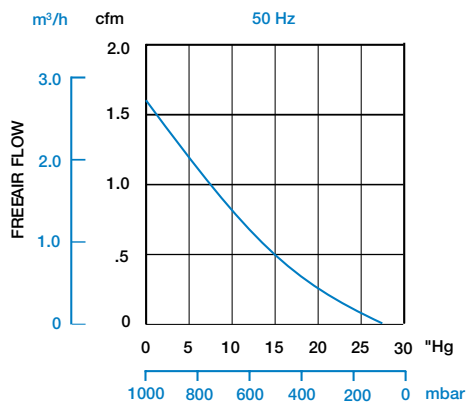


Product Specifications

| Model Number | Motor | Motor Type | RPM | | HP | KW | Net Wt. | |
|-------------------|-----------------------|------------|-------|-------|-----|------|---------|-----|
| | | | 60 Hz | 50 Hz | | | lb | kg |
| 75R135-V102-H200X | 100/100-115-50/60-1 | PSC | 1625 | 1375 | 1/4 | 0.19 | 14.3 | 6.5 |
| 75R135-V103-H203X | 115/230-60-220-240-50 | PSC | 1625 | 1375 | 1/4 | 0.19 | 14.3 | 6.5 |

- Oilless operation
- All wetted aluminum parts treated for corrosion protection from moisture
- Rugged motor shell construction
- Filter/muffler included

Product Performance (U.S., Metric)





Model 81R640

100 psi max. pressure
3.7 CFM open flow (60 Hz)

100 psi max. pressure
3.0 CFM open flow (50 Hz)

Recommended Accessories

Pressure gauge AA806

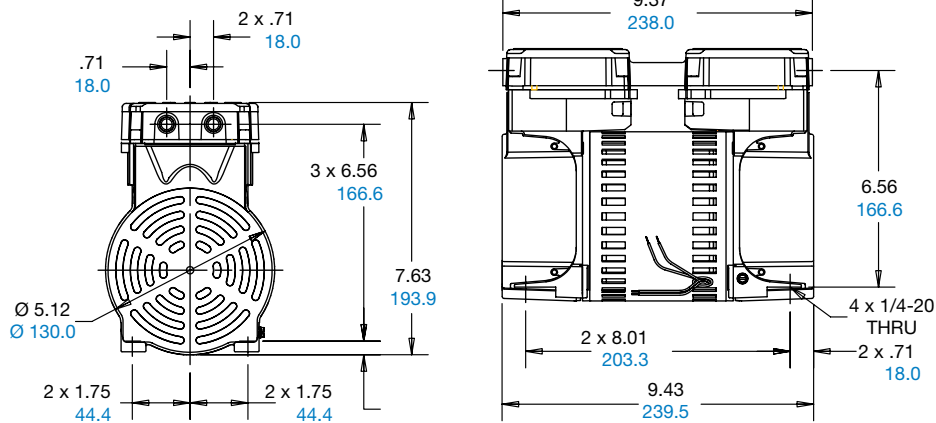
Safety valve AP202

Filter B300A

Capacitors AT251 dry or AJ594 wet

Repair kit K934

Product Dimensions (inches, mm)

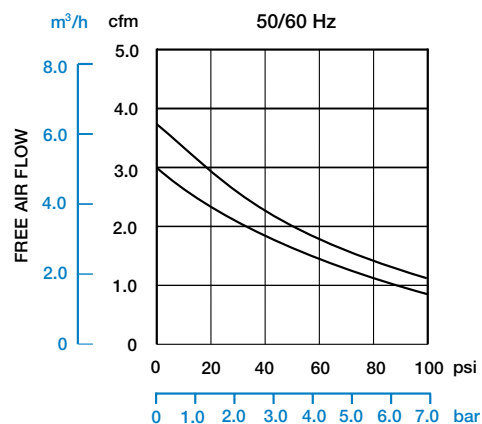


Product Specifications

| Model Number | Motor | Motor Type | RPM | | HP | KW | Net Wt. | |
|--------------------|--------------|------------|-------|-------|-----|------|---------|-----|
| | | | 60 Hz | 50 Hz | | | lb | kg |
| 81R640-P101-H311CX | 115-60-1 | PSC | 1725 | -- | 1/3 | 0.25 | 17.1 | 7.8 |
| 81R640-P101-H302CX | 220-240-50-1 | PSC | -- | 1450 | 1/3 | 0.25 | 17.1 | 8.0 |

- Oilless operation
- All wetted aluminum parts treated for corrosion protection from moisture
- Rugged motor shell construction

Product Performance (U.S., Metric)





MODEL 82R637 Series

30 psi max. pressure
4.3 CFM open flow (60 Hz)

30 psi max. pressure
3.8 CFM open flow (BLDC)

MODEL 82R637 Series

30 psi max. pressure
4.7 CFM open flow (60 Hz)

30 psi max. pressure
4.1 CFM open flow (50 Hz)

MODEL 82R642 Series

100 psi max. pressure
4.4 CFM open flow (60 Hz)

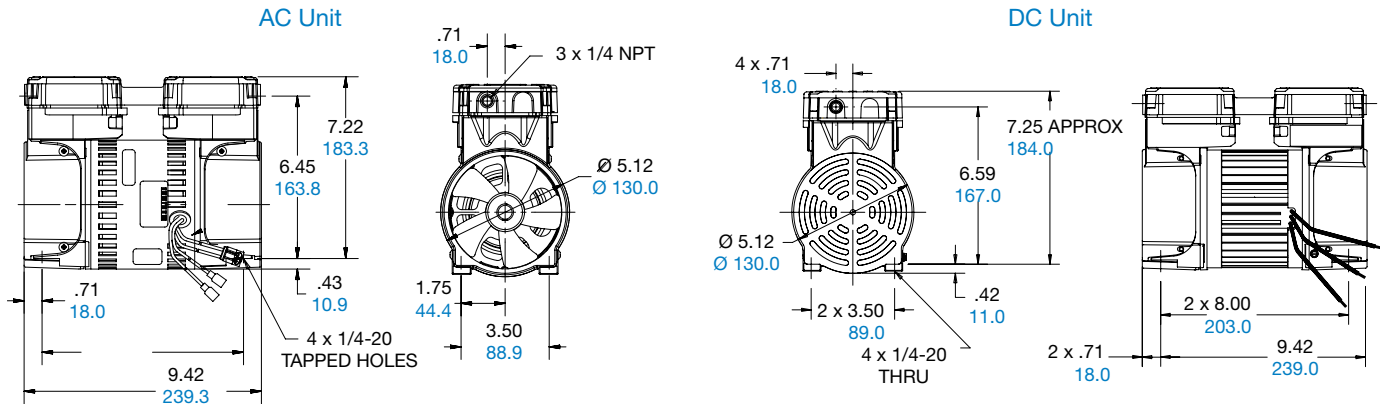
100 psi max. pressure
3.2 CFM open flow (50 Hz)

MODEL 82R645 Series

30 psi max. pressure
4.9 CFM open flow (60 Hz)

30 psi max. pressure
4.4 CFM open flow (50 Hz)

Product Dimensions (inches, mm)



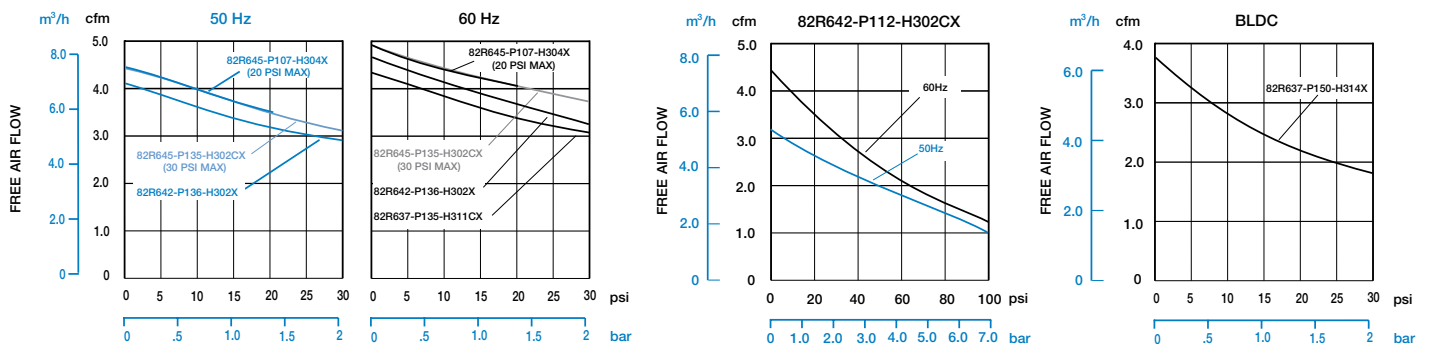
Product Specifications

| Model Number | Motor | Motor Type | RPM | | HP | KW | Net Wt. | |
|---------------------|------------------|------------|-------|-------|-----|------|---------|-----|
| | | | 60 Hz | 50 Hz | | | lb | kg |
| 82R637-P135-H311CX | 115-60-1 | PSC | 1725 | -- | 1/3 | 0.25 | 17.1 | 7.8 |
| 82R637-P150-H314X | 24V | PM | 2000 | | 1/3 | 0.25 | 17.9 | 8.1 |
| *82R642-P112-H302CX | 230-60-1 | PSC | 1725 | 1425 | 1/3 | 0.25 | 17.1 | 7.8 |
| | 220/240-50-1 | PSC | 1725 | 1425 | 1/3 | 0.25 | 17.1 | 7.8 |
| 82R642-P136-H302CX | 230-60-1 | PSC | 1725 | 1425 | 1/3 | 0.25 | 17.1 | 7.8 |
| | 220/240-50-1 | PSC | 1725 | 1425 | 1/3 | 0.25 | 17.1 | 7.8 |
| 82R645-P107-H304X | 110-115/230-60-1 | PSC | 1725 | 1425 | 1/3 | 0.25 | 17.1 | 7.8 |
| | 10/220-50-1 | PSC | 1725 | 1425 | 1/3 | 0.25 | 17.1 | 7.8 |
| 82R645-P135-H302CX | 230-60-1 | PSC | 1725 | 1425 | 1/3 | 0.25 | 17.1 | 7.8 |
| | 220/240-50-1 | PSC | 1725 | 1425 | 1/3 | 0.25 | 17.1 | 7.8 |

* Units will start against 50 psi back pressure

- Oilless operation
- All wetted aluminum parts treated for corrosion protection from moisture
- Rugged motor shell construction
- Recommended Accessories
 - Pressure gauge AF583
 - Relief valve AP202
 - Filter B300A
 - Repair kit K797A
 - Capacitors: AT251 (82R637-P135-H311CX)
 - AT251B 82R642-P112-H302CX
 - 82R642-P136-H302CX
 - 82R645-P135-H302CX
 - AT385 (82R645-P107-H304X, shipped with unit)

Product Performance (U.S., Metric)





MODEL 85R632

25 psi max. pressure
3.7 CFM open flow (n211x motor, 60 Hz)

40 psi max. pressure
3.7 CFM open flow (n311x motor, 60 Hz)

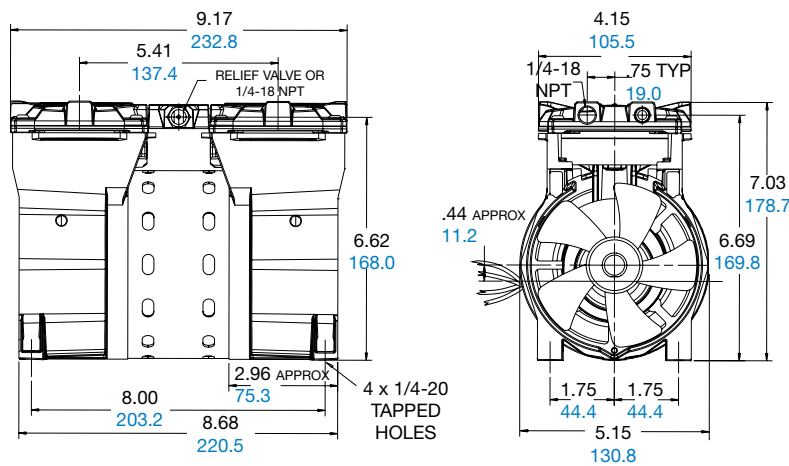
MODEL 85R637

30 psi max. pressure
4.3 CFM open flow (60 Hz)

Recommended Accessories

Relief Valve AF592S
Pressure Gauge AA644B
Filter B300A
(4) Rubber feet AF713A
Capacitors AT251: 85R632-P201-N211X
and
85R637-P201-N311X

Product Dimensions (inches, mm)

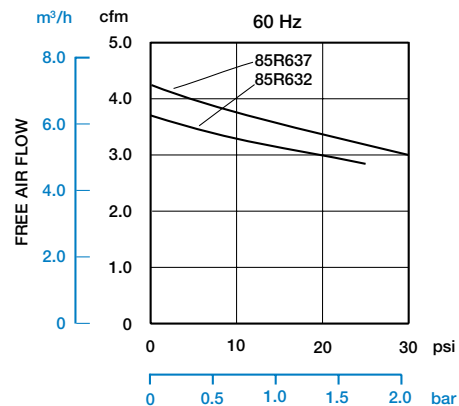
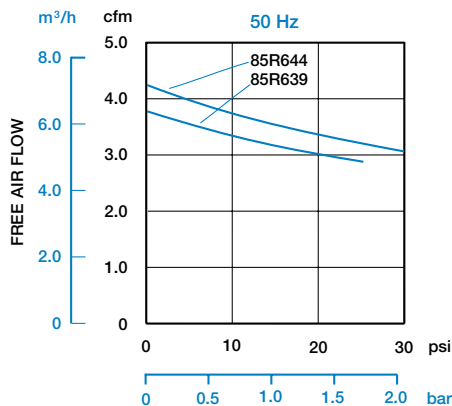


Product Specifications

| Model Number | Motor | Motor Type | RPM | | HP | KW | Net Wt. | |
|--------------------|--------------|------------|-------|-------|-----|------|---------|------|
| | | | 60 Hz | 50 Hz | | | lb | - kg |
| 85R632-P201-N211X | 115-60-1 | PSC | 1750 | -- | 1/4 | 0.19 | 14.6 | 6.6 |
| 85R637-P201-N311X | 115-60-1 | PSC | 1750 | -- | 1/3 | 0.25 | 15.6 | 7.1 |
| 85R639-P201-N310CX | 220/240-50-1 | PSC | -- | 1425 | 1/3 | 0.25 | 15.6 | 7.1 |
| 85R644-P201-N313CX | 220/240-50-1 | PSC | -- | 1425 | 1/3 | 0.25 | 16.8 | 7.6 |

- Oilless operation
- New optional side mount configuration for lower center of gravity
- All wetted aluminum parts treated for corrosion protection from moisture
- Rugged motor shell construction
- Long life and lower power consumption
- Multiple port options
- Lightweight design

Product Performance (U.S., Metric)





Gast Manufacturing, Inc.

A Unit of IDEX Corporation
Post Office Box 97
2300 M-139 Highway
Benton Harbor, Michigan 49023-0097
Phone 269-926-6171
Fax 269-925-8288
www.gastmfg.com

Gast Hong Kong

Room 6, 9/F, New Commerce Centre
19 On Sum Street, Shatin
Hong Kong
Phone 852-2690-1008
Fax 852-2690-1012

Gast Group Ltd.

A Unit of IDEX Corporation
Unit 11, The I O Centre
Nash Road
Redditch, B98 7AS
United Kingdom
Phone +44 (0)1527-504040
Fax +44 (0)1527-525262